

# MasterCare

Patient Equipment, Inc.

*"ERGONOMIC AND ECONOMIC PATIENT CARE SOLUTIONS"*

---

MB-71

## Recumbent Bath

**SPECIFICATIONS, LAYOUT,  
ROUGH-IN AND  
INSTALLATION INSTRUCTIONS**

MB-71 Cover 4/17/07

---

2071 14<sup>th</sup> Avenue · PO Box 1435 · Columbus, NE 68601  
Phone: 800.798.5867 · Fax: 402.563.9102  
E-mail: [mastercarepeinc@frontiernet.net](mailto:mastercarepeinc@frontiernet.net)  
Website: [www.mastercarebath.net](http://www.mastercarebath.net)

# MasterCare

Patient Equipment, Inc.

*"ERGONOMIC AND ECONOMIC PATIENT CARE SOLUTIONS"*

---

## Recumbent Bath

### Architectural Specifications & Rough-In Information

#### Dimensions:

<b>Bath:</b>	Width	35 ¼" Inches
	Length	84" Inches
	Rail Height	34 ½" Inches
	Deck Height	38 ¾" Inches

#### Specifications:

<b>Back Flow Prevention:</b>	Air gap for fill spout. Note: The factory provided backflow prevention is the most widely accepted. Local codes may require changes, which is the responsibility of the local plumbing contractor.	
<b>BathAire<sup>(SM)</sup> Outlets:</b>	4 with 6 ports each for a total 24 warm air massage outlets.	
<b>Electrical:</b>	Provide separate 115 V-AC, 60 HZ, 20 Amp. circuit and receptacle with in-line ground fault interrupter (not supplied) in accessible location.	
<b>Installation Time:</b>	1 hour	<b>Inspection and Adjustments:</b> ½ hour
<b>Motor Specs:</b>	BathAire <sup>(SM)</sup> Motor: 115 V., 7.0 Amps, 1.3 H.P. Adjustable speed for maximum comfort and control.	
<b>Room Size:</b>	7' wide x 8' 10" long minimum recommended. Can fit in smaller room; call MasterCare with dimensions.	
<b>Switches:</b>	Membrane.	
<b>Thermometer:</b>	Analog temperature measurements.	
<b>Tub Fill/Shower:</b>	30 GPM thermoscopic mixing valve with separate fill and shower flow control valves.	
<b>Tub Shell:</b>	Sanitary gel-coated FRP (Fiberglass Reinforced Polymer).	
<b>Tub Water Use Gallonage:</b>	65 gallons	
<b>Waste:</b>	2" PVC schedule 40 pipe.	
<b>Water Supply:</b>	¾" Copper hot and cold. Minimum of 30 PSI for hot and cold required. Maximum temperature of hot water supply 115° F or code, whichever is less.	
<b>Weight:</b>	400 lbs.	

Recumbent Specs 10/25/06

# MasterCare

Patient Equipment, Inc.

*"ERGONOMIC AND ECONOMIC PATIENT CARE SOLUTIONS"*

---

## Recumbent Stretcher Lift and Scale

### Specification Information

#### Dimensions:

Stretcher Platform with Head Rest	70" Long, 22" Wide
Overall Width of Lift-Without Scale	36" Door opening clearance
Overall Width of Lift-With Scale	37 ¾" Door opening clearance
Lift Base	44 1/2" Long, 28" Wide
Travel (Stroke) Range	19 ½" Up and Down
Stretcher Platform	40" Up Position
Bottom Height	21" Down Position
Top of Column Height	50" Down Position 70" Up Position

#### Stretcher Lift Specifications:

<b>Battery:</b>	24 V output at 2.0 Ah, high capacity with over 60 cycles when fully charged.
<b>Capacity:</b>	400 lbs.
<b>Casters:</b>	Four inch rear swivel casters with brake, three inch dual wheel swivel casters.
<b>Comfort Pads:</b>	Vinyl
<b>Construction:</b>	100% powder coated aluminum with stainless steel hardware.
<b>Power:</b>	24 V DC actuator system for quiet, efficient operation.
<b>Weight:</b>	175 lbs. Shipping

#### Scale Specifications:

<b>Accuracy:</b>	Within 0.1% of capacity.
<b>Capacity:</b>	The scale uses 2 - 200 kg., single point, aluminum loadcells with potted gages for moisture protection. The loadcells have matched output so that load cell exchange does not then necessitate calibration.
<b>Display:</b>	LCD with .60" high characters
<b>Electronics:</b>	Utilizes a microprocessor controlled digital electronics for reliable and trouble free operation.
<b>Mechanical:</b>	Electronics enclosure is stainless steel with plastic overlay. The loadcell supports are heavy gauge stainless steel. All fasteners are stainless steel.
<b>Mode:</b>	Pounds (lb.) and Kilograms (kg)
<b>Power:</b>	4 AA alkaline batteries
<b>Repeatability:</b>	To within 1 displayed division.
<b>Resolution:</b>	The present resolution is .5 lb. If finer resolution is needed, it is factory programmable.

Lift Specs 10/25/06

---

2071 14<sup>th</sup> Avenue · PO Box 1435 · Columbus, NE 68601

Phone: 800.798.5867 · Fax: 402.563.9102

E-mail: [mastercarepeinc@frontiernet.net](mailto:mastercarepeinc@frontiernet.net)

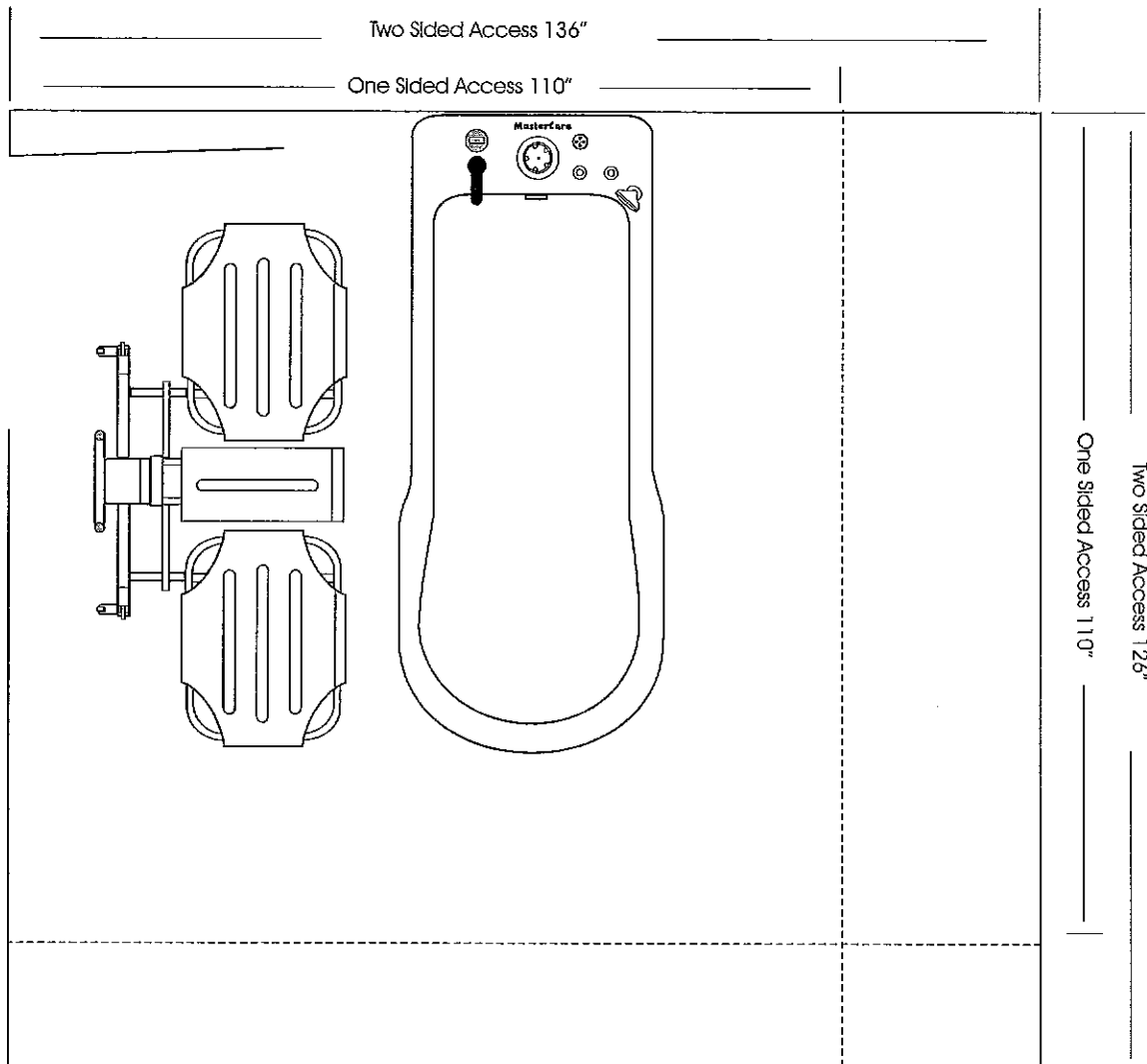
Website: [www.mastercarebath.net](http://www.mastercarebath.net)



Patient Equipment, Inc.  
Marketing Division

# MasterCare Special Model Cantilevered Recumbent Tub Rough-In & Installation Instructions

## Room Layout Considerations:



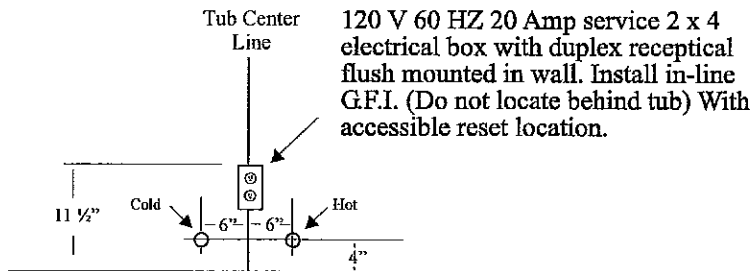
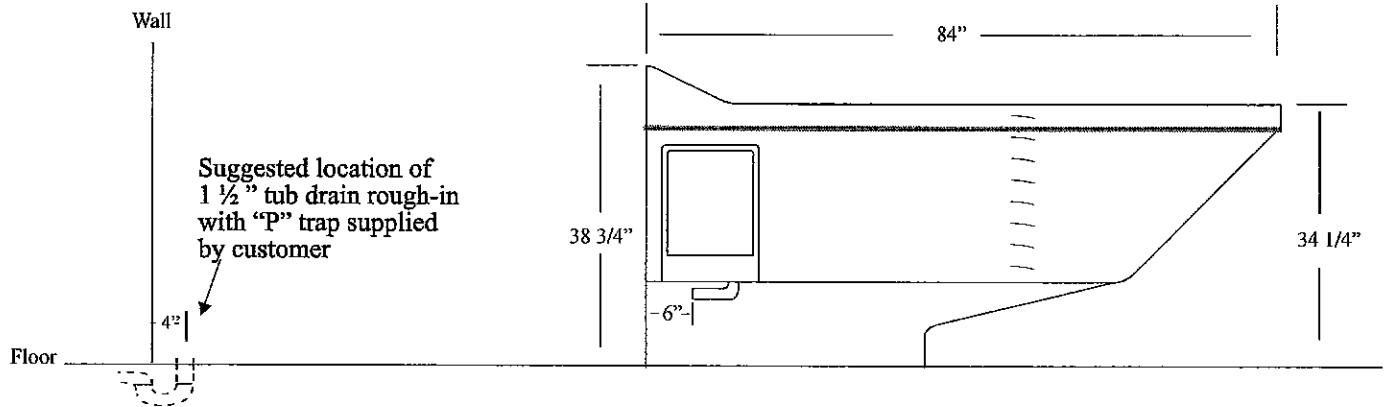
Above are minimum operational dimensions to operate the MasterCare Recumbent Tub for two sided access or one sided access.



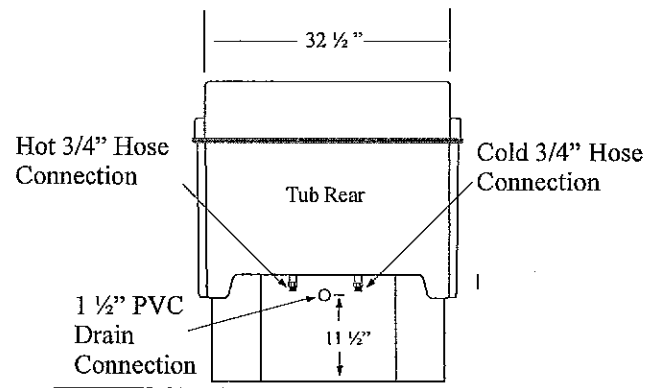
Patient Equipment, Inc.  
Marketing Division

# MasterCare Special Model Cantilevered Recumbent Tub Rough-In & Installation Instructions

## Rough-In Instructions:



Rough-in 3/4" copper pipe with 3/4" shut offs with male hose thread extended 4" from the wall for both hot & cold supplies. This is for connection to high pressure hoses (to be supplied by the customer) that connect to the RADA 320 mixing valve.



Memo: Hot & Cold Connections within 6" of the center line of the tub approximately 11 1/2" off the floor.

## Installation Instructions:

- 1) Slide the tub into position mark the floor through the anchor bolt holes drilled in the tub floor. Pull the tub away from this area drill the appropriate hole for the anchor bolt kit sent with the tub. Install the lead anchors.



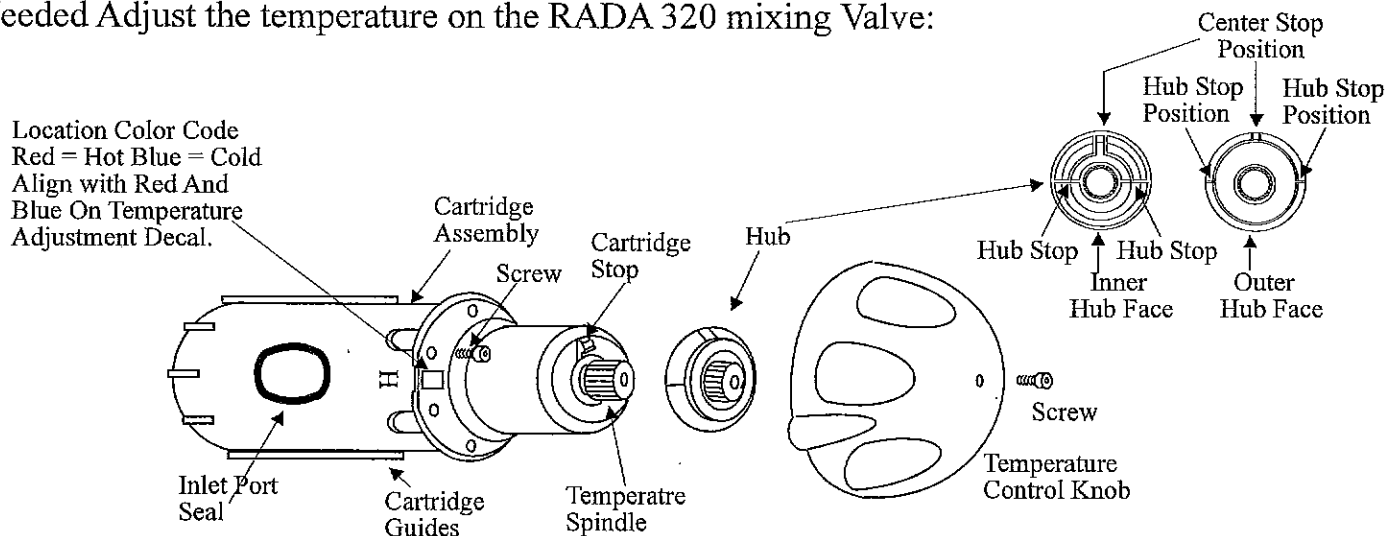
Patient Equipment, Inc.  
Marketing Division

## MasterCare Special Model Cantilevered Recumbent Tub Rough-In & Installation Instructions

### Installation Instructions Continued:

- 2) Connect the hot and cold supplies to the mixing valve 3/4" connections using high pressure hoses at least 3 feet long. Turn on the Hot & Cold water supplies. Check for leaks.
- 3) Locate the cord to the BathAire blower and plug it into the 120 volt receptacle.
- 4) Slide the tub back into position and connect the 1 1/2" tub drain to the rough-in in the floor. It is suggest that you use a rubber type coupler for ease of servicing in the future.
- 5) Anchor the tub to the floor through the four pre-drilled holes in the floor of the tub.
- 6) Test the fill, shower and temperature monitoring functions. If you are unable to get the temperature to the level for normal bathing, 100 F to 105 F, you may have to adjust he mixing valve per the instructions below.

### If Needed Adjust the temperature on the RADA 320 mixing Valve:



- a) Remove temperature knob screw using the 3 mm Allen wrench supplied with the tub. Remove the temperature knob. Pull off the hub.
- b) Rotate the spindle until required maximum blend temperature is obtained at outlet point. (**clockwise = decrease temperature, counter clockwise = increase temperature**)  
**Caution:** *When resistance is felt do not use force to turn any further, as this can damage the internal parts.*
- c) Once desired maximum blend temperature is achieved, refit the hub without disturbing the spindle: Position the hub so that the hub stop comes up against the cartridge stop(see above) preventing any further rotation in an counter clockwise direction. Check that blend temperature has not altered. Refit the temperature control knob. Make sure the indicator points to 9 o'clock.

Next follow the instructions in the lift manual: